

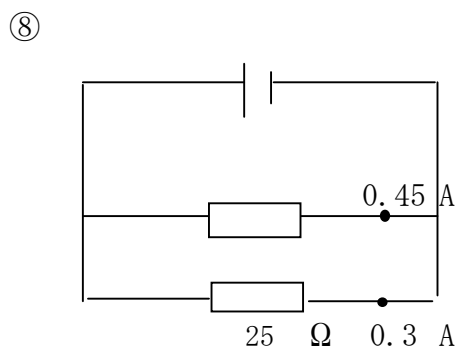
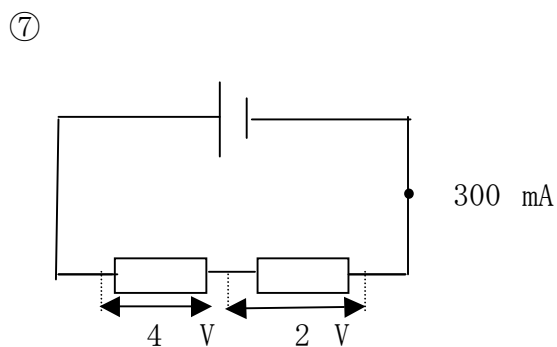
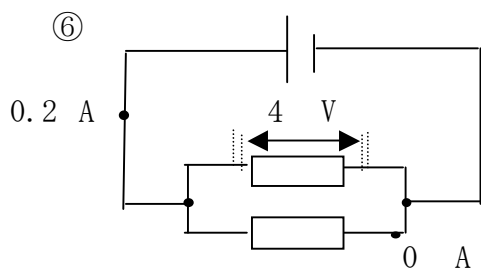
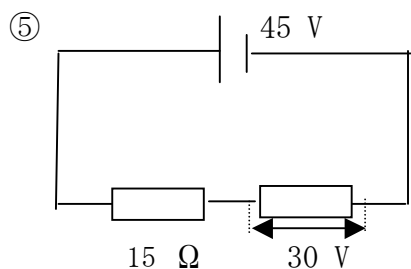
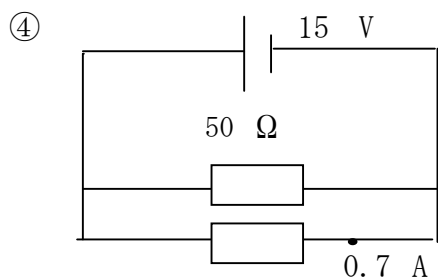
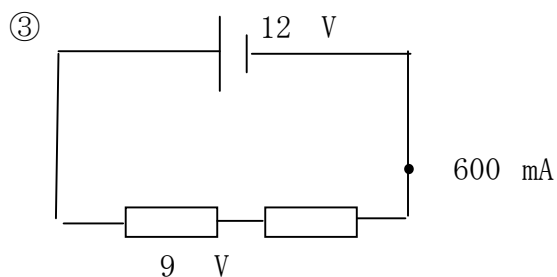
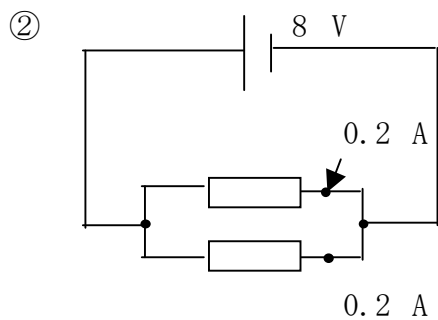
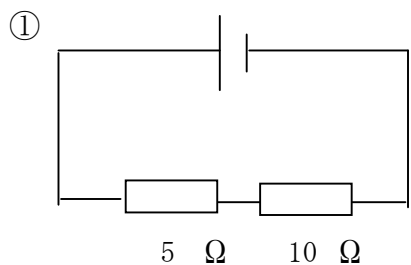
# 回路全体の抵抗

**NO. 2**

名前

/ 8 点

◆ 次の回路全体の抵抗の大きさを答えなさい。



解答

$$\textcircled{1} \quad 5 + 10 = 15 \quad \Omega$$

$$\textcircled{2} \quad 8 \div (0.2 + 0.2) = 20 \quad \Omega$$

$$\textcircled{3} \quad 12 \div 0.6 = 20 \quad \Omega$$

$$\textcircled{4} \quad 15 \div 50 = 0.3 \text{ A} \quad \leftarrow \text{上の抵抗に流れる電流}$$

$$0.7 + 0.3 = 1 \text{ A} \quad \leftarrow \text{全体の電流}$$

$$15 \div 1 = 15 \quad \Omega$$

$$\textcircled{5} \quad 45 - 30 = 15 \text{ V}$$

$$15 \div 15 = 1 \text{ A} \quad \leftarrow \text{回路全体の電流}$$

$$45 \div 1 = 45 \quad \Omega$$

$$\textcircled{6} \quad 4 \div 0.2 = 20 \quad \Omega$$

$$\textcircled{7} \quad 4 + 2 = 6 \text{ V} \quad \leftarrow \text{全体の電圧}$$

$$6 \div 0.3 = 20 \quad \Omega$$

$$\textcircled{8} \quad 0.3 \times 25 = 7.5 \text{ V} \quad \leftarrow \text{全体の電圧}$$

$$0.45 + 0.3 = 0.75 \text{ A} \quad \leftarrow \text{全体の電流}$$

$$7.5 \div 0.75 = 10 \quad \Omega$$